

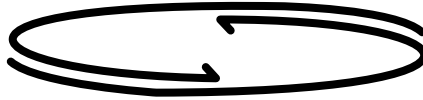
AAADM
American Association of Automatic Door Manufacturers

AUTOMATIC SWINGING DOOR

OWNER'S MANUAL

Distributed by:

PORTRONIK



Contents	
Section	Page
Caution	2
To Our Customers	3
Service Availability	3
Compliance with Safety Standards	3
What You Should Know	4
Daily Safety Check	5
Operation	8
Limited Warranty	8

Enter

Print



CAUTION

Improperly Adjusted Door can cause injury and equipment damage.

Inspect door operation daily using safety checklist in owner's manual and at door.

Have door adjusted as described in Owner's manual.

Safety devices should be in place and operational.

Have door inspected at least annually by an AAADM certified insepctor.

In the following manual, the word:

Caution means that injury or property damage can result from failure to follow instructions.

The word **Note** is used to indicate important steps to be followed or important differences.

Back

Next



To Our Customers

The purpose of this manual is to familiarize you with your automatic door system. It is essential that you "know your system" and that you recognize the importance of maintaining your door system in compliance with the industry standards for safety.

It is your responsibility, as owner or caretaker of the equipment, to inspect the operation of your door system on a daily basis to insure that it is safe for use by your invitees, customers, or employees.

This manual will provide you with a description of the operation and maintenance requirements of your door. It also provides the instructions for the Daily Safety Check.

Should the door fail to operate as prescribed in the Daily Safety Check, or at any other time for any other reason, **do not attempt to repair or adjust the door**. Call a qualified service technician. These technicians are trained to service your door in accordance with applicable industry safety standards.

Service Availability

Automatic door products are distributed through a nationwide network of authorized automatic door suppliers for sales, installation, and service.

Should you need service on your door system, consult the yellow pages of your telephone directory under "Door-Opening Devices" for your manufacturer's local authorized automatic door supplier or call the manufacturer for a local automatic door supplier.

Compliance with Safety Standards

Your door system was designed to the latest operating and safety standards. In order to ensure the continued safe operation of your door, it is important that:

- Your door system be maintained in compliance with the standards of the industry.
- Proper decals and labels be applied and maintained on your doors. If decals are removed or cannot be read, request labels to be replaced when calling for service.
- Safety devices for all doors should be checked by an AAADM certified inspector at least annually.

AAADM, the American Association of Automatic Door Manufacturers, has established a program to certify automatic door inspectors. Through this program, the inspectors are trained to check your door systems for compliance with the appropriate version of the American National Standards Institute standard ANSI A156.10.

[Back](#)

[Next](#)



What You Should Know

Be sure that an automatic door supplier has provided the following for each door:

1. Instruction on how to conduct the *Daily Safety Check* * (by walk-through example).
2. Location of function switches and instruction in their use.
3. Circuit breaker or power disconnected location for each door system.
4. Discussion of problems that could result from door being allowed to operate after a malfunction is observed.
5. The number to call for service or questions about your system if you are uncertain of any condition or situation.

Note: If there are any problems, **discontinue door operation immediately** and secure in a safe manner. Call your local authorized automatic door supplier for repair.

6. AAADM compliance certificate or a work order signed by an AAADM certified automatic door inspector.
7. A completed annual compliance inspection sticker, located at the bottom of the daily safety check label affixed to the door.
8. Warranty information for each door.

* NOTE: AAADM Daily Safety Check videos are available.
Contact your automatic door supplier or AAADM.

[Back](#)

[Next](#)



Daily Safety Check

Perform these safety checks daily on each automatic swinging door to insure your customers' safety and your own protection. Perform these tests while traffic is restricted from all detection and sensing zones.

Sensor Activation / Presence Detection Safety

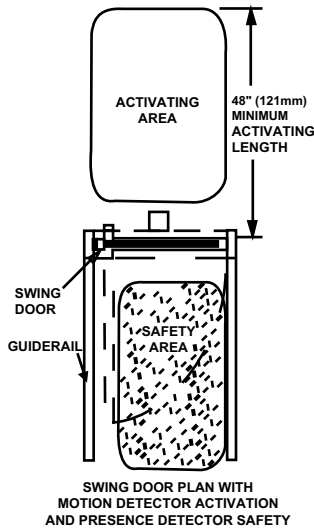


Figure 1

1. Check electronic sensor by walking toward the door opening at a moderate speed. The door should start opening when you are about four feet from the door, should swing open smoothly and stop without impact. Move slowly through the door (6 in. per second). The door should remain open.
2. Step out of the sensor zone. After a brief time delay (at least 1 ½ seconds) the door should close to 10° from fully closed, then noticeably slow down and take at least 1 ½ seconds for the final 10° closing.
3. Approach the safety side of the door first, then have someone else approach the activating side of the door, as long as you are in the safety area of the door it should not open. (See Figure 1)
4. Crouch motionless in the door opening for at least 4 seconds. The door should not close.

Caution: If safety sensor is not working, door may swing toward you without stopping.

Floor Mat Activation/Floor Mat Safety

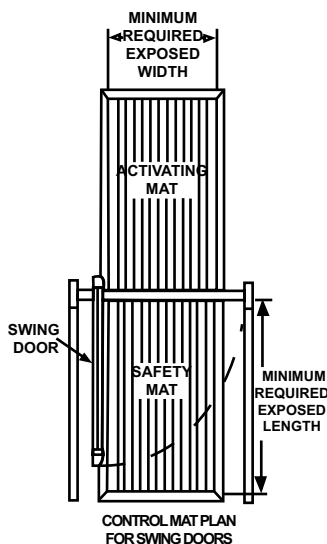


Figure 2

1. Step on the "opening" (activating) mat.
2. It is necessary to have a safety mat covering the entire area the door swings over. Step through the doorway onto the safety mat and remain motionless for 4 seconds. The door should remain open. Repeat at several locations on the mat. (See Figure 2 or 3)
3. Step off the safety mat. After a brief time delay (at least 1 ½ seconds) the door should close to 10° from fully closed, then slow down. The last 10° of closing should be noticeably slower (at least 1 ½ seconds).
4. With the door closed, step on the safety mat. Have someone step on the opening mat. Door should remain closed as long as someone remains on the safety mat.

Caution: If safety mat is not working, door may swing toward you without stopping.

Back

Next

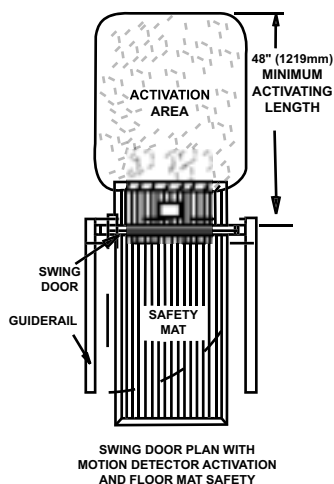


Figure 3



Figure 4



Figure 5



Figure 6

5. Check the mat molding and threshold. It should be complete and secured with all required screws.
6. Crouch motionless in the door opening for at least 4 seconds. The door should not close.
7. **Do not** move heavy objects over floor mats.

General Safety

1. Breakout Stop. Center pivoted in-swinging doors may be supplied with an emergency breakout stop or switch that will allow the door to open 90° in the opposite direction of normal traffic. Call your supplier for details.

When the door is pushed into the breakout mode, the electrical power to the operator is removed. Check that door will not activate.

2. Decals. The door should have traffic decals properly displayed as follows:
 - A. An arrow sign (See Figure 4) shall be visible from the approach side of a swinging door, mounted on the door at a height 58 in., ± 5 in. (147 cm, ± 13 cm) from the floor to the centerline of the sign. The sign shall be minimum of 6 in. (15.2 cm) in diameter, having a green circle surrounding a black arrow on a white background.
 - B. An international "DO NOT ENTER" sign (See Figure 5) shall be visible from the side that would swing toward pedestrians attempting to travel in the wrong direction. It should be mounted on the door at a height 58 in., ± 5 in. (147 cm, ± 5 cm) from the floor to the centerline of the sign. The sign shall be minimum of 6 in. (15.2 cm) in diameter, having a red circle with the wording, "Do Not Enter", in white letters in the red circle.
 - C. Swinging doors serving two-way traffic shall be marked with a decal, visible from both sides of the door, with the words "CAUTION, Automatic Door". (See Figure 6) The words "Automatic Door" must be at least ½ in. letters. It should be mounted on the door at a height 58 in., ± 5 in. (147 cm, ± 13 cm) from the floor to the centerline of the sign. The sign shall be minimum of 6 in. (15.2 cm) in diameter and made with black lettering on yellow background.

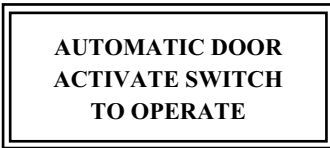


Figure 7

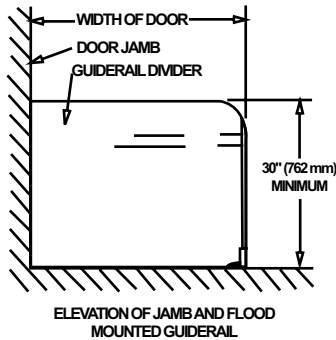


Figure 8

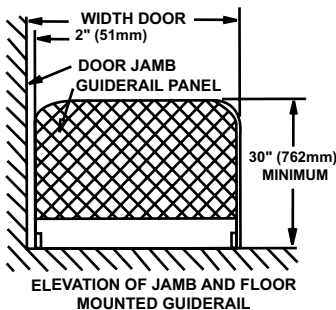


Figure 9

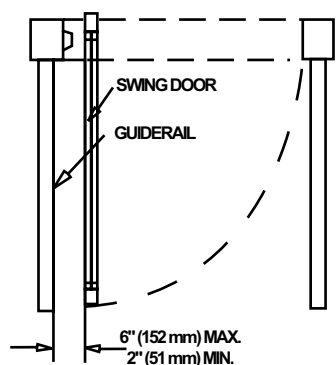


Figure 10

D. An AAADM safety information sticker should be affixed on the door or frame in a protected, visible location. If you need additional decals for your automatic doors, call your automatic door supplier.

3. Activating Switch. (Knowing Act) Door equipped with a manual operate switch shall, when activated, hold the door open for five seconds minimum after release of activating switch. Reactivate door and crouch motionless in door opening for 10 seconds. Door should not close.

4. Guide Rails. Check that guide rails or other barriers or separators are present (two per swing door side) and firmly anchored. (See Figures 8, 9, 10)

5. Lock Stile. With door open, grasp lock stile of door and attempts to move vertically and horizontally. There should be no looseness in the door pivots or in connections between door and operator.

6. Housekeeping. Check the door area for tripping or slipping hazards.

Check all door panels for damage. Make sure that all covers are properly secured. There should be no bulletin boards, literature racks, merchandise displays, or other attractions in the door area that would interfere with use of the door.

7. Traffic Patterns. Observe traffic patterns. Plan routing so people enter and exit in a straight approach, directly onto the center of the door opening.

8. Finger Guard. If installed, inspect finger guard to see that it is secure and in good repair. (See Figure 10)

IF YOU HAVE A PROBLEM, TURN OFF THE DOOR OPERATING EQUIPMENT AND CALL YOUR AUTOMATIC DOOR SUPPLIER.